



Reliable solutions since 1956

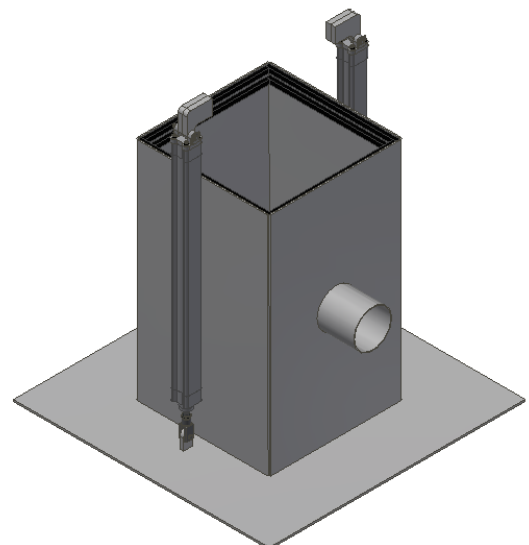
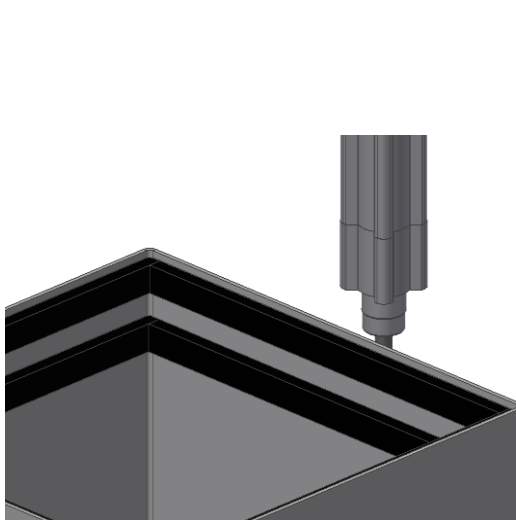
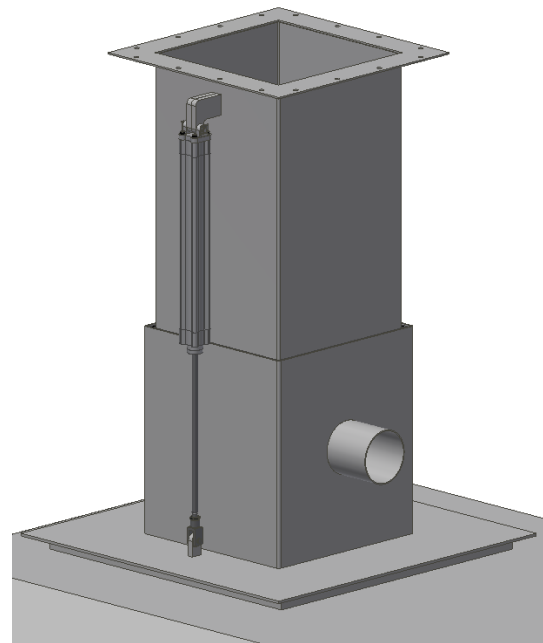
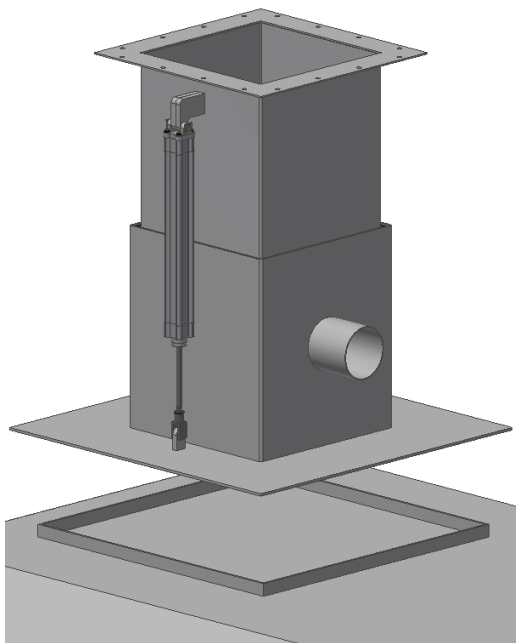
Data sheet

Produkt: Telescopic chute

Type number: AQ.027.001

Telescopic chute AQ.027.001

The AQ.027.001 Telescopic chute is used as a chute into the container. The chute is adjustable in height. The telescopic chute is used when connecting sludge and slurry containers with a hatch placed on top. When the telescopic chute is lowered, the plate of the telescope connects tightly against the container, opening the ventilation and minimising odours and spillage. When the telescopic chute is up, the ventilation is closed and the container can be removed.



Technical Data

The AQ.027.001 Telescopic chute is designed according to Machinery Directive 2006/42/EC and meets the mandatory requirements according to DS/EN 12255-1 section 4.3.1 general construction principles and DS/EN ISO 4414 Pneumatics, general rules and safety requirements for systems and their components.

Pneumatic cylinder: VDMA Magnet cyl. Ø32-0300



Material

Telescopic tube: Stainless steel EN 1.4301, acid-proof steel EN 1.4404

Fittings: Stainless steel EN 1.4301, acid-proof steel EN 1.4404

Suction pipe DN100: Stainless steel EN 1.4301, acid-proof steel EN 1.4404

Pneumatic cylinder: Stainless steel EN 1.4301, acid-proof steel EN 1.4404

Inner rails (upper+lower): PEHD plastic

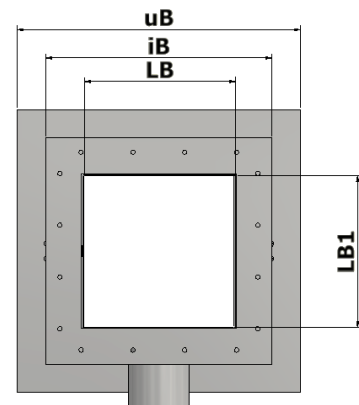
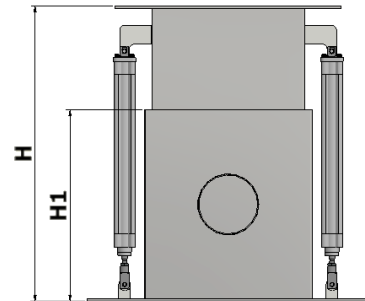
Bottom plate: Stainless steel EN 1.4301, acid-proof steel EN 1.4404

Gasket between the screw conveyor and telescopic chute: EPDM rubber

Disposal

When disposing of the product, it must be detached. Then it has to be disassembled and screwed apart. This product consists of 3 kinds of materials: Steel, EPDM rubber and PEHD plastic. Product materials are disposed of appropriately through sorting and recycling.

Dimensions



Inside diameter (mm)	H	H1	LB	LB1	iB	uB
320x320	Varies according to height of the chute	405	320	320	Fits on AQ-017-004 Pneumatic sliders	600