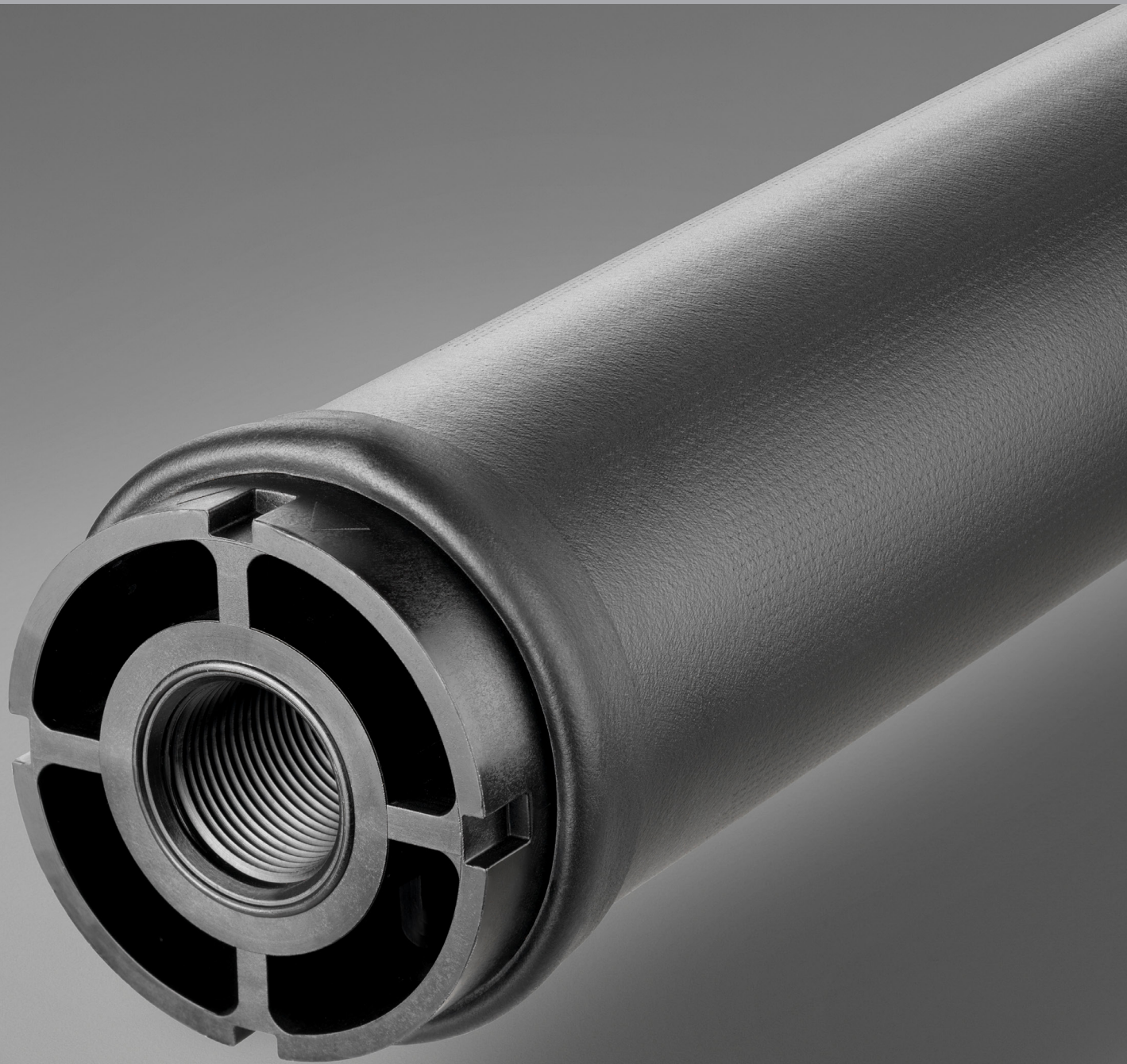


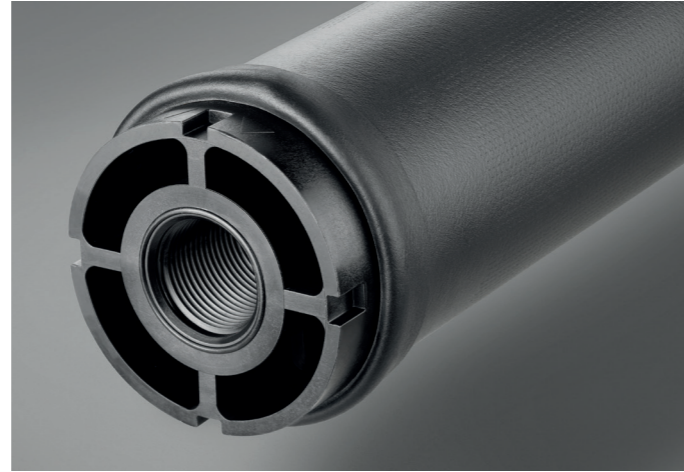
# JetFlex® TD 90-2 G Tube Diffuser



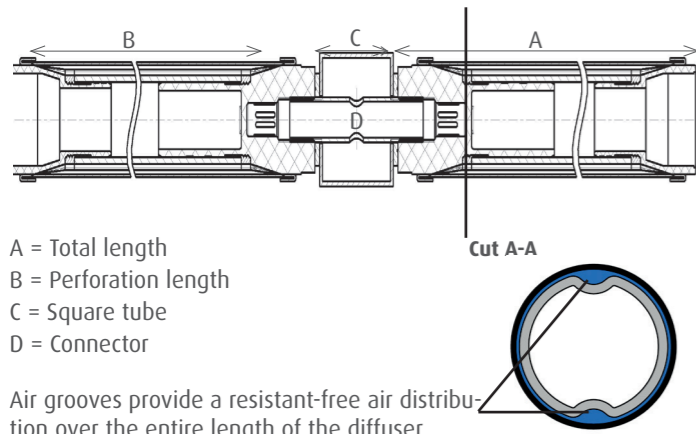


## Dimensions

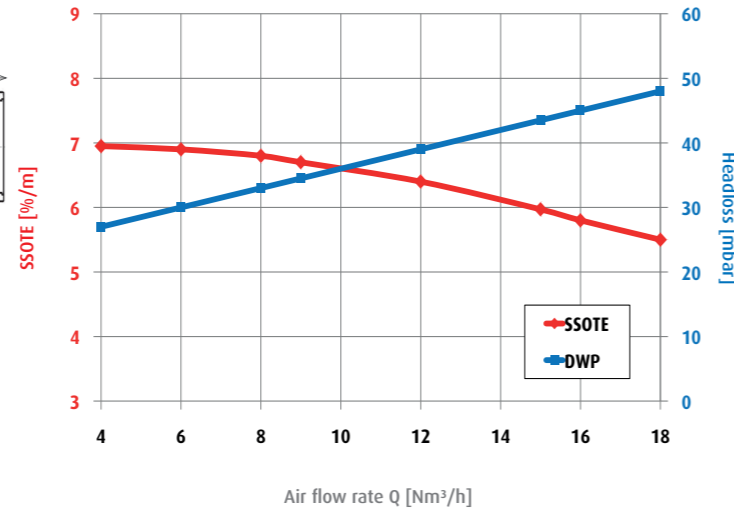
Material	Tube diameter	ID-Sleeve	Wall thickness
EPDM	87 mm	~ 90 mm	1.9 ± 0.20 mm
Silicone	87 mm	~ 90 mm	1.5 ± 0.20 mm
PUR	87 mm	~ 90 mm	0.75 ± 0.05 mm



## Installation drawing



## SSOTE and headloss for EPDM 1000 mm



Perforation length [B]	Total length [A]	Perforated area	Air flow rate at standard operating conditions	Max. overload / maintenance air flow rate	Operating mode
1000 mm	1145 mm	0.24 m²	4 - 18 Nm³/h	28 Nm³/h	continuous / intermittent
750 mm	895 mm	0.18 m²	3 - 14 Nm³/h	21 Nm³/h	continuous / intermittent
500 mm	645 mm	0.12 m²	2 - 9 Nm³/h	14 Nm³/h	continuous / intermittent

## Dimensions for connection to square pipes

Connector [D]	Connector length square tube 80 x 80 mm [C]	Connector length square tube 100 x 100 mm [C]	Drill hole for connector
Pipe thread ISO 228 -G 1A	145 mm	165 mm	35 +1/-0 mm

Please see our operation manuals for more details.



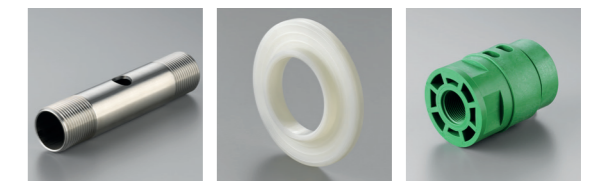
## Membrane materials

Material	Techn. standard	EPDMperformance Plus	PUR	Techn. standard	Silicone
<b>Colour</b>		black	transparent		translucent
<b>Plasticiser (%)</b>		35	0		0
<b>Density (g/cm³)</b>	DIN EN ISO 1183-1	1.11	1.13	DIN EN ISO 1183-1	1.16
<b>Tensile strength (N/mm²)</b>	DIN 53504	>8,5	>45	DIN 53504	>9
<b>Elongation at break (%)</b>	DIN 53504	>550	>450	DIN 53504	>900
<b>Tear strength (N/mm)</b>	DIN EN ISO 34-1	>10	>35	ASTM D 624 B	>38
<b>Hardness (Shore A)</b>	DIN ISO 7619-1	43 ± 5	80 ± 5	DIN 53505	60 ± 5
<b>Operating air temperature (°C)</b>		5 - 80	5 - 60		5 - 100
<b>Operating water temperature (°C)</b>		5 - 40	5 - 40		5 - 40

## Other materials

Support tube	SS clamp
PP / PP 20% GF	1.4301

## Accessories

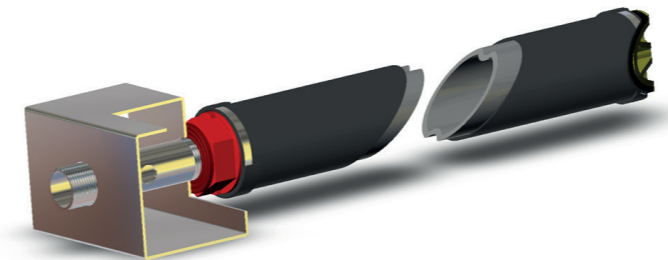


Stainless steel connector (square header)    Adapter    Blind plug



L-bracket and end plug    Plastic connector / saddle (round header)    Clamp adapter (round header)

Please see our accessories catalogue for more details.





**Jäger Umwelt-Technik GmbH**

Lohweg 1  
30559 Hannover  
Germany

+49 511 646 440

+49 511 646 444 99

info@jaeger-envirotech.com

www.jaeger-envirotech.com



**Disclaimer**

We exclude any liability for the information and product presentations provided. Contents of technical character are based on the date of publication. Existing copyrights and rights to the use of names remain unaffected.