



HUBER Heat Exchanger RoWin

- ▶ Modular design
- ▶ Developed especially to be used with all types of wastewater
- ▶ Not easily affected by coarse and floating material
- ▶ Odour-tight
- ▶ Low maintenance requirements
- ▶ Self-cleaning

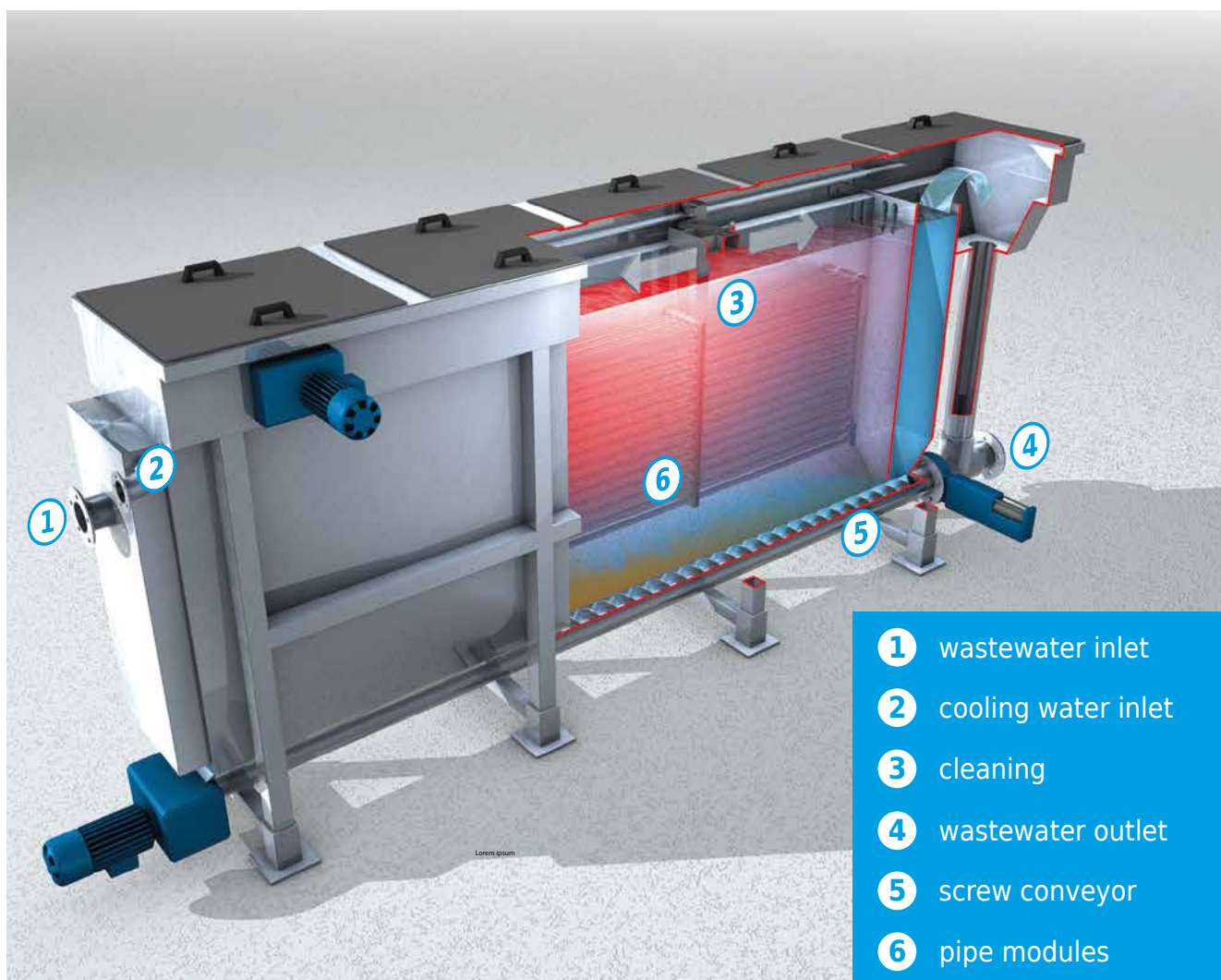
More information,
downloads and
current news



Design and function of the HUBER Heat Exchanger RoWin

The HUBER Heat Exchanger RoWin consists of a welded stainless steel construction in which horizontal pipe modules are arranged in parallel. The pipe modules are made of stainless steel to achieve maximum heat transfer efficiency. The pre-screened wastewater flows through the heat exchanger and, via the compactly arranged pipes, gives off its thermal energy to the cooling water. The energy for the heat pump is supplied through the heated cooling medium. Due to the specific chemical-biological properties of wastewater a biofilm is developed over time on the heat transfer surfaces that significantly impairs heat transfer. Preventive cleaning of the heat transfer surfaces with an innovative, fully automatic cleaning mechanism therefore is applied to ensure the maximum heat transfer capacity is permanently maintained. Sediments and solids settling on the tank floor are removed by a screw conveyor and returned to the sewer along with the cooled wastewater.

Due to the enclosed tank design and return of solids thermal energy is the only emission from wastewater. The HUBER Heat Exchanger RoWin is available, as required, with an outer insulation for particularly exposed sites. Installed above ground, the system offers the benefits of easy maintenance and operation. Due to its modular design the HUBER Heat Exchanger RoWin can be tailored to suit specific site requirements. In combination with a heat pump up to several hundred kilowatts of thermal output can be generated, depending on the unit size. With the optimal combination of both systems municipalities or industrial enterprises can cover up to 80 % of the heat required from wastewater as energy source.



Schematic drawing of a HUBER Heat Exchanger RoWin.

Heat exchanger for concrete tank and channel installation – HUBER Heat Exchanger RoWin C

The HUBER Heat Exchanger RoWin C can be used for installation in the outlet of the wastewater treatment plant or in buffer tanks. Installed directly in the wastewater flow, the heat exchanger modules are optimally surrounded by the flow. Due to the biological processes taking place, the temperature of effluents from sewage treatment plants is on average by 1 K higher than the inlet temperature. Furthermore, higher amounts of thermal energy can be extracted from WWTP effluents than with heat recovery plants installed in sewer systems. The biological processes in the sewage treatment plant are not impaired and the introduction of the cool WWTP effluent outlet is beneficial for the flowing water biology. In addition, temperature and oxygen conditions in the waters are significantly improved. If installed in the channel, no additional pumps are required as the wastewater flow normally runs off by gravity. This avoids costs and significantly improves the economic efficiency of such plants. Especially with regard to the energetic rehabilitation of wastewater treatment plants, the HUBER

Heat Exchanger RoWin can make a decisive contribution. Due to its compact design and installation in a channel or tank, no additional installation space is required and the available space utilised at an optimum. But biofilm growing on the heat exchanger surfaces cannot completely be ruled out with the use of the WWTP effluent. Integrated cleaning of the heat transfer surfaces therefore is of great importance to continuously maintain the maximum heat transfer capacity. Several HUBER Heat Exchanger RoWin units can be installed in parallel or in series for perfect adjustment to specific site conditions and customer requirements. Combined with load-bearing covers the units can also be installed under parking areas for example.



HUBER Heat Exchanger RoWin C installed in a concrete tank. The flow streams through the heat exchanger by gravity.

Options of heat recovery from wastewater

1. Utilisation of raw wastewater from sewers by means of HUBER ThermWin®

- ▶ Installation near the consumer
- ▶ Independent of sewer dimensions and shape
- ▶ Continuously stable hydraulic conditions
- ▶ Possibility to control the entire plant at any time

3. Filtrate from sewage sludge treatment

- ▶ High temperatures of approx. 30 °C
- ▶ Optional sewage sludge drying
- ▶ Very high energy potential
- ▶ All-year-round utilisation without interruption

2. Installation in the WWTP outlet

- ▶ No pre-screening required
- ▶ Constant volume flow by gravity
- ▶ High energy output
- ▶ Improved biological conditions in water courses
- ▶ Utilisation of recovered heat for sewage sludge drying

4. Industrial plants

- ▶ Continuous flow of energy-rich production wastewaters
- ▶ High temperatures due to chemical-physical processes
- ▶ Supplier = consumer
- ▶ Compliance with sewer discharge standards

The benefits of HUBER Heat Exchangers RoWin / RoWin C



Eco-friendly heat supply for buildings: HUBER ThermWin® with HUBER Heat Exchanger RoWin.

- ▶ Compact, enclosed tank design
- ▶ Continuous maximum heat transfer capacity
- ▶ Stable hydraulic conditions
- ▶ Fully automatic operation, minimum maintenance requirements
- ▶ Unsusceptible to grease, floating and coarse material
- ▶ Automatic removal of sediments
- ▶ Modular design for tailored solutions that meet the customer's specific requirements
- ▶ Various possible applications in both the municipal and industrial field

HUBER SE

Industriepark Erasbach A1 | 92334 Berching
Phone: +49 8462201-0 | info@huber.de

www.huber.de

HUBER Heat Exchanger RoWin

Subject to technical modification | 0,1 / 6 – 2.2022 – 4.2004