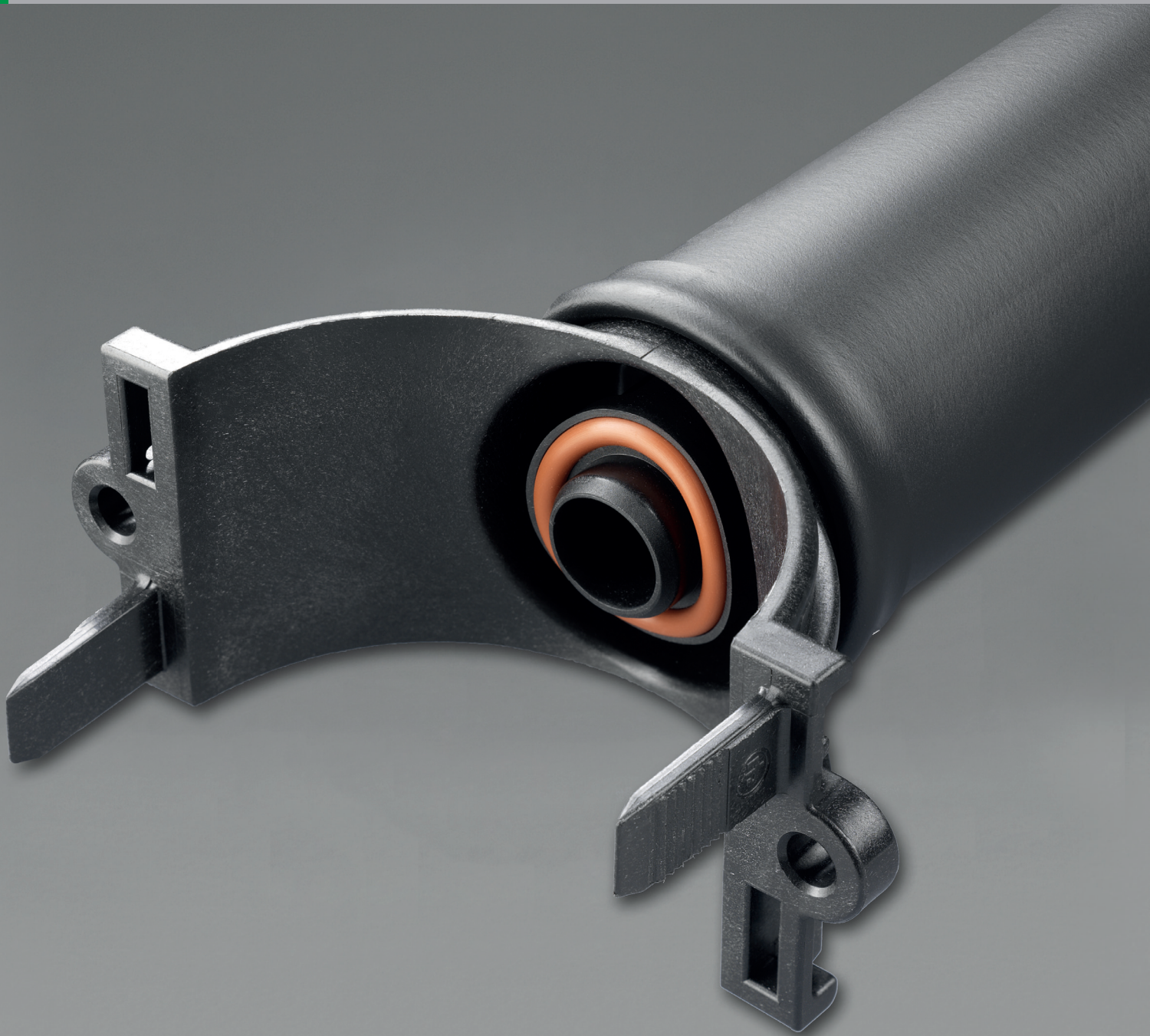


JetFlex® TD 65-2 Tube Diffuser



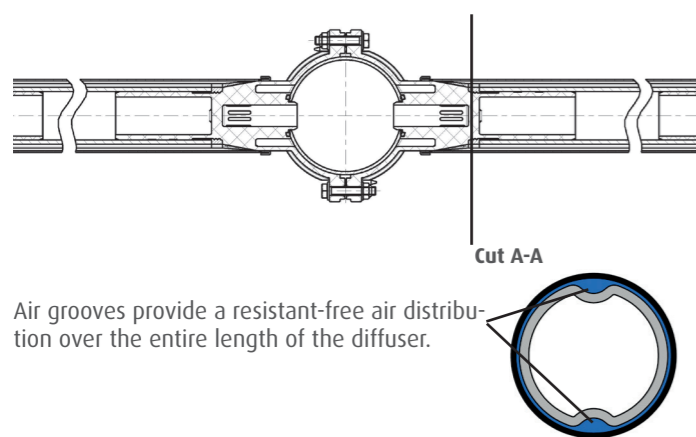


Dimensions

Material	Tube diameter	ID-Sleeve	Wall thickness
EPDM	63 mm	~ 65 mm	1.9 ± 0.15 mm
Silicone	63 mm	~ 65 mm	1.5 ± 0.15 mm
PUR	63 mm	~ 65 mm	0.75 ± 0.025 mm

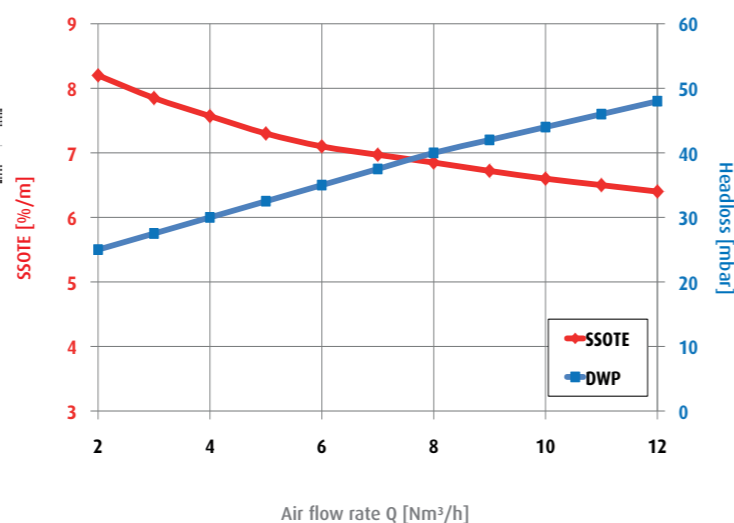


Installation drawing



Air grooves provide a resistant-free air distribution over the entire length of the diffuser.

SSOTE and headloss for EPDM 1000 mm



Perforation length	Total length	Perforated area		Air flow rate at standard operating conditions		Max. overload / maintenance air flow rate		Operating mode
		EPDM	SI+PU	EPDM + SI	PU	EPDM + SI	PU	
1000 mm	1175 mm	0.18 m²	0.16 m²	2 - 12 Nm³/h	3 - 8 Nm³/h	20 Nm³/h	16 Nm³/h	continuous / intermittent
750 mm	925 mm	0.135 m²	0.12 m²	1.5 - 9 Nm³/h	2 - 6 Nm³/h	15 Nm³/h	12 Nm³/h	continuous / intermittent
500 mm	675 mm	0.09 m²	0.08 m²	1 - 6 Nm³/h	1 - 4 Nm³/h	10 Nm³/h	8 Nm³/h	continuous / intermittent

Dimensions for connection to round pipes

Outer diameter	Material	Nominal diameter	Drill hole
114.3 mm	SS	100 mm	28 +0.5/-0 mm
110 mm	PVC	100 mm	28 +0.5/-0 mm
90 mm	PVC	80 mm	28 +0.5/-0 mm

Please see our operation manuals for more details.

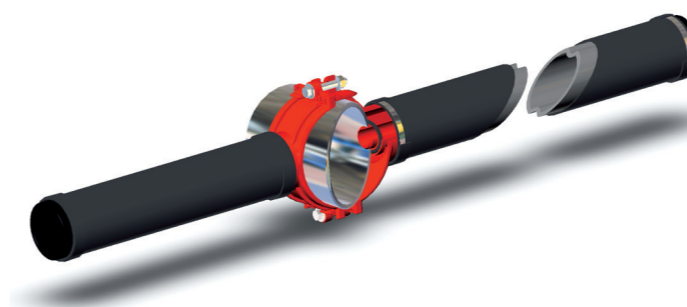


Membrane materials

Material	Techn. standard	EPDMperformance Plus	PUR	Techn. standard	Silicone
Colour		black	transparent		translucent
Plasticiser (%)		35	0		0
Density (g/cm³)	DIN EN ISO 1183-1	1.11	1.13	DIN EN ISO 1183-1	1.16
Tensile strength (N/mm²)	DIN 53504	>8,5	>45	DIN 53504	>9
Elongation at break (%)	DIN 53504	>550	>450	DIN 53504	>900
Tear strength (N/mm)	DIN EN ISO 34-1	>10	>35	ASTM D 624 B	>38
Hardness (Shore A)	DIN ISO 7619-1	43 ± 5	80 ± 5	DIN 53505	60 ± 5
Operating air temperature (°C)		5 - 80	5 - 60		5 - 100
Operating water temperature (°C)		5 - 40	5 - 40		5 - 40

Other materials

Support tube	SS clamp	Threaded joints
PP / PP 20% GF	1.4301	1.4301



Accessories



L-bracket and end plug

Clamp adapter without thread

Please see our accessories catalogue for more details.



Jäger Umwelt-Technik GmbH

Lohweg 1
30559 Hannover
Germany

+49 511 646 440

+49 511 646 444 99

info@jaeger-envirotech.com

www.jaeger-envirotech.com



Disclaimer

We exclude any liability for the information and product presentations provided. Contents of technical character are based on the date of publication. Existing copyrights and rights to the use of names remain unaffected.