



Reliable solutions since 1956

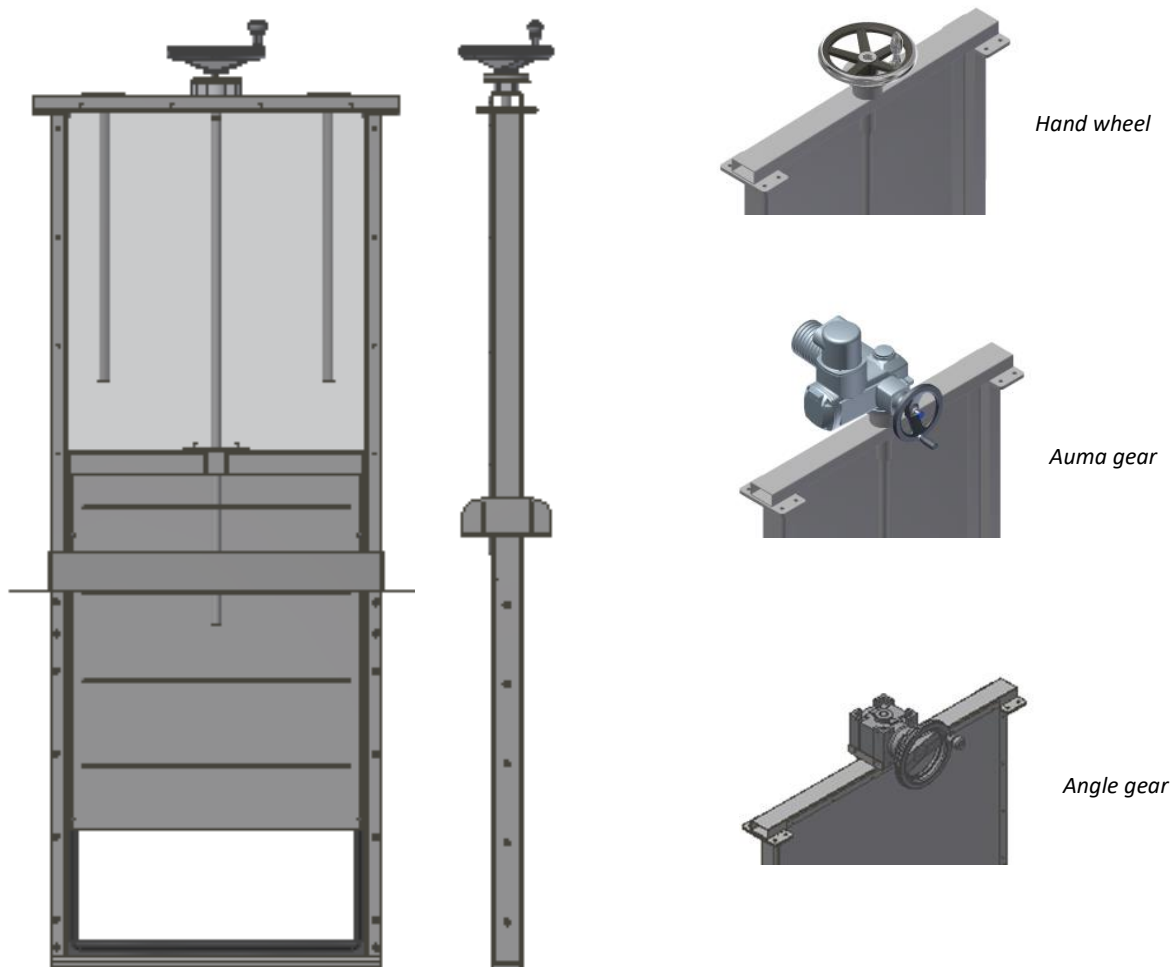
Data sheet

Product: Channel mounted valve

Type number: AQ.017.002

Channel mounted valve AQ.017.002

The AQ.017.002 channel mounted valve is used for shut-off tasks between structures and/or channels. Aquagain's AQ.017.002 channel mounted valve is available with a frame profile in either stainless EN 1.4301 or acid-proof EN 1.4404, PEHD guide profiles for the valve plate and EPDM gaskets in the sides and bottom for sealing. Above floor level, the product is sealed off with plates on both sides, to shield against any media and odour nuisance. The product is ready for embedding. Aquagain offers the AQ.017.002 channel mounted valve with 1:1 or 1:2 gear, AUMA Gear or hand wheel. Regardless of the type, the product is prepared for mounting gears, AUMA and hand wheels. The AQ.017.002 channel mounted valve is available with and without a stop. The spindle is an M25 non-rising trapezoidal spindle. The pitch of the spindle is 5 mm / turn.



Technical Data

The AQ.017.002 channel mounted valve is designed according to Machinery Directive 2006/42/EC, Low Voltage Directive 2014/35/EU- *only applicable when motor/gear is selected*, EMC Directive 2014/30/EU- *only applicable when motor/gear is selected*, DS/EN ISO 12100:2011 Safety of machinery - General principles for design - Risk assessment and risk reduction, DS/EN 60204-1:2006 Safety of machinery - Electrical equipment of machines - Part 1: General requirements, DS/EN 12255-1 section 4.3.1 general construction principles, DS/EN 12226-1 industrial valves - Testing of valves Part 1 pressure tests, test procedures and acceptance criteria- mandatory requirements



Pressure ratio: 6 mVs

Angle gear: RAN 24SB udveksling: $i = 1$

Watertight from both sides.

Material

Frame: Stainless EN 1.4301, acid-proof steel EN 1.4404

Valve plate: Stainless EN 1.4301, acid-proof steel EN 1.4404

Spindle: Stainless EN 1.4301, acid-proof steel EN 1.4404

Bushing: Bronze 25 QOB A R (zinc-free)

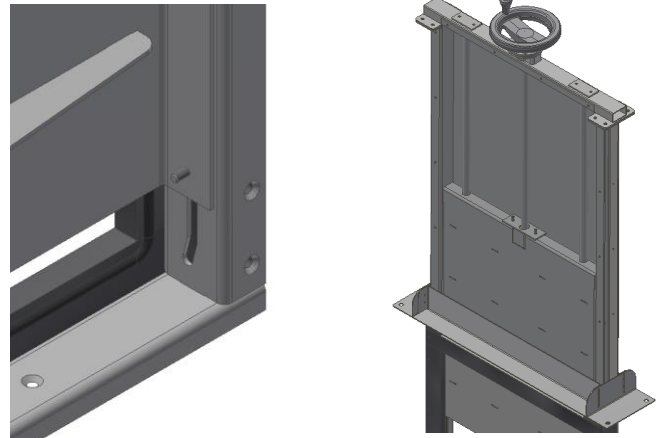
Rails in valve frame: PEHD plastic

O-ring: EPDM rubber

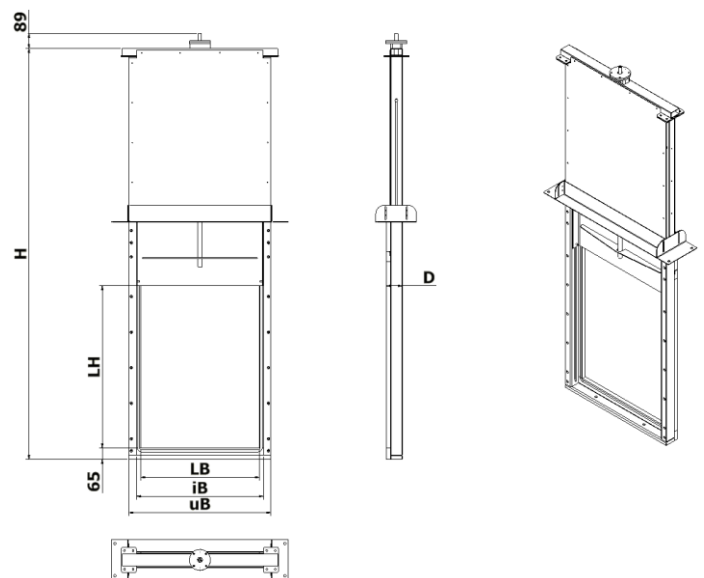
All materials are acid resistant and durable in aggressive media.

Disposal

When disposing of the product, it must be detached. Thend it has to be disassembled and screwed apart. This product consists of 4 kinds of materials: Stainless steel, PEHD plastic, EPDM rubber and bronze. The product materials are disposed of appropriately through sorting and recycling.



Dimensions



Inside diameter (mm)	LH	H	LB	iB	UB	D	Spindle \varnothing	mVs
400x400	400	1025	400	450	450	95	25	6
500x500	500	1225	500	550	640	95	25	6
600x600	600	1425	600	650	740	95	25	6
700x700	700	1625	700	750	840	95	25	6
800x800	800	1825	800	850	940	95	25	6
1000x1000	1000	2225	1000	1050	1140	95	25	6
1200x1200	1200	2625	1200	1250	1340	95	25	6
1400x1400	1400	3025	1400	1450	1540	95	25	6

**Other dimensions on request.*